

## Works for Jandorf Lamp Kits: (with Harp)

#60132 – Polished Brass  
 #60139 – Brushed Pewter

### What's Inside

- 1 – 10" Lamp Harp (B)
- 1 – 8' SPT-1 Lamp Cord (18 Gauge) with polarized plug (O)
- 1 – Push through Socket (Rated: 660W-250V) (C)
- 1 – 1" Finial 1/4-27 Thread (A)
- 1 – Lamp Nipple (K)
- 1 – Coupling (J)
- 1 – Lock Nut (N)

### What's Its Purpose

Create your own lamp or repair an existing one.

### Tools Needed

Screwdriver  
 Wire Stripper

### Other Items

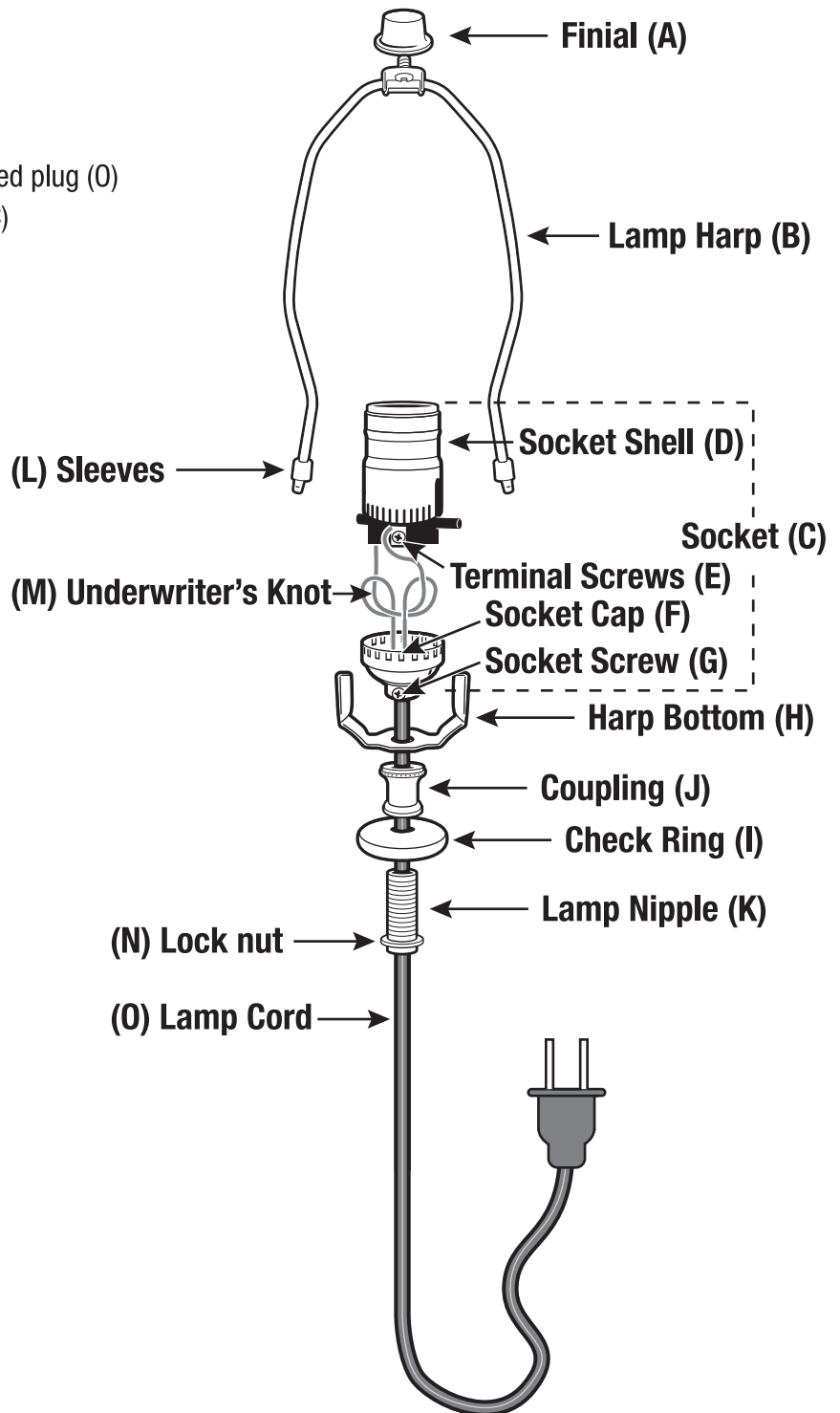
### You Might Need

Check Ring  
 Bottle Adapters

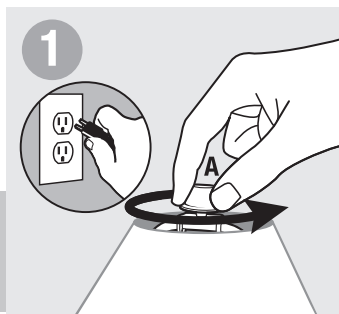
### WARNING

- Before beginning **TURN OFF POWER** by unplugging lamp from wall outlet.
- Follow local electrical regulations or codes when installing and using this product.
- Light bulbs generate heat – maintain manufacturer's recommended space between shade and bulb.
- Deviation from the assembly instructions may result in a **risk of fire or electric shock.**

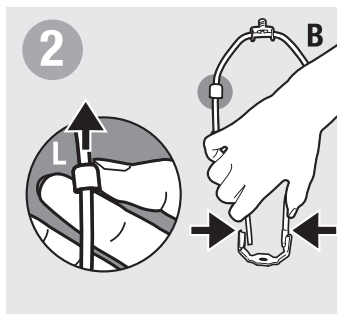
### Project Overview



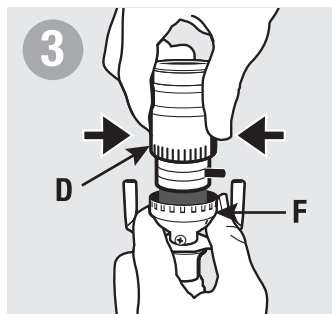
**Removal**



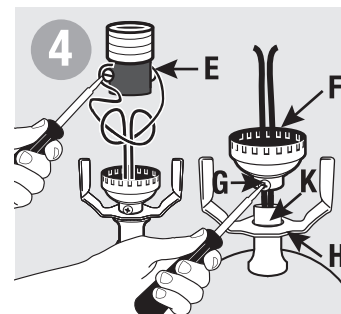
Before beginning **TURN OFF POWER** by unplugging lamp from wall outlet. Unscrew finial (A), remove lamp shade and bulb.



Lift sleeves (L) toward top and gently squeeze harp (B) sides. Remove from harp bottom (H).

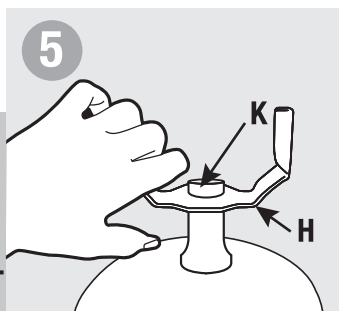


Press sides of socket shell (D); rock shell back and forth and lift up to remove from socket cap (F).

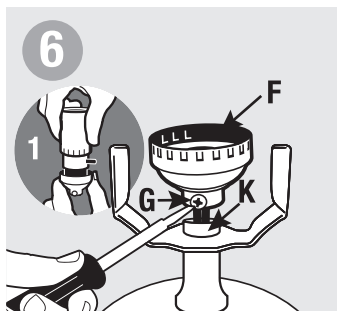


Unscrew terminal screws (E) to release wires. Unscrew socket screw (G). Unscrew socket cap (F) from lamp nipple (K) and remove. Remove harp bottom (H). Pull cord through bottom or side of fixture to remove.

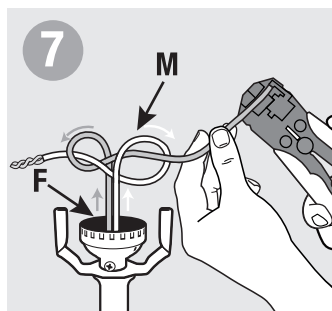
**Repair & Create**



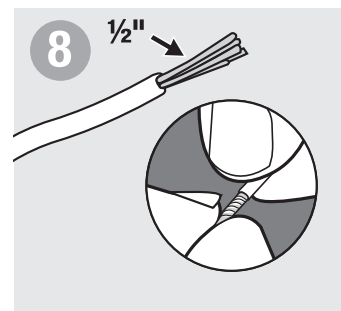
Slide new harp bottom (H) over lamp nipple (K).



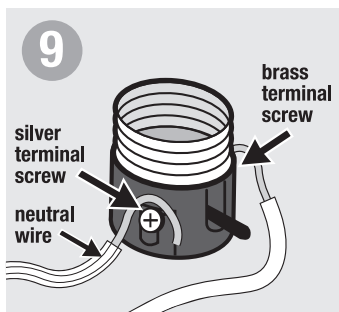
Remove socket cap from socket shell and loosen socket screw (1). Thread socket cap (F) onto lamp nipple (K) and tighten. Tighten socket screw (G). Cardboard insulation disc should be firmly in bottom of socket cap.



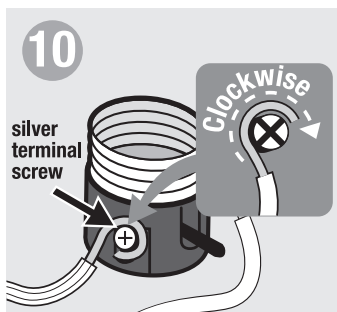
Feed cord through bottom or side of lamp, up through nipple and out socket cap (F). Split cord about 2" from end and tie an Underwriter's Knot (M).



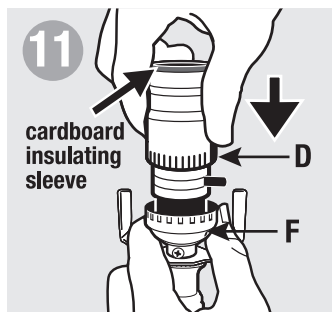
Using wire stripper, expose 1/2" of bare copper strands from cord. Twist copper strands tightly together.



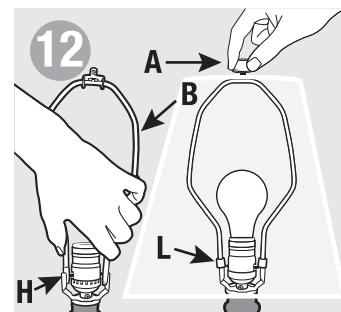
Connect ribbed neutral wire (feel outside of cord for ribbing) around silver terminal screw and smooth wire around brass terminal screw.



Wrap each wire clockwise 3/4 turn under head of terminal screw. Tighten screws. Cut loose strands.



Make sure cardboard lining is firmly in place in socket shell (D). Place socket shell on cap (F). Pull extra wire back through lamp. Snap socket shell into socket cap by gently rocking side-to-side, until shell snaps into place with a clicking sound.



Insert top of harp (B) into harp bottom (H) and slide sleeves (L) to lock in place. Insert bulb, shade and finial (A).